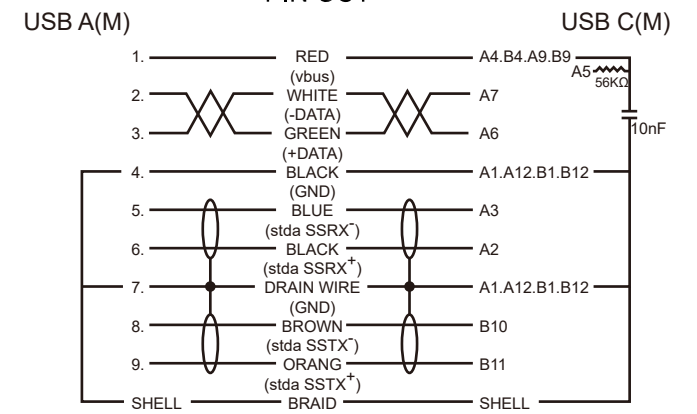


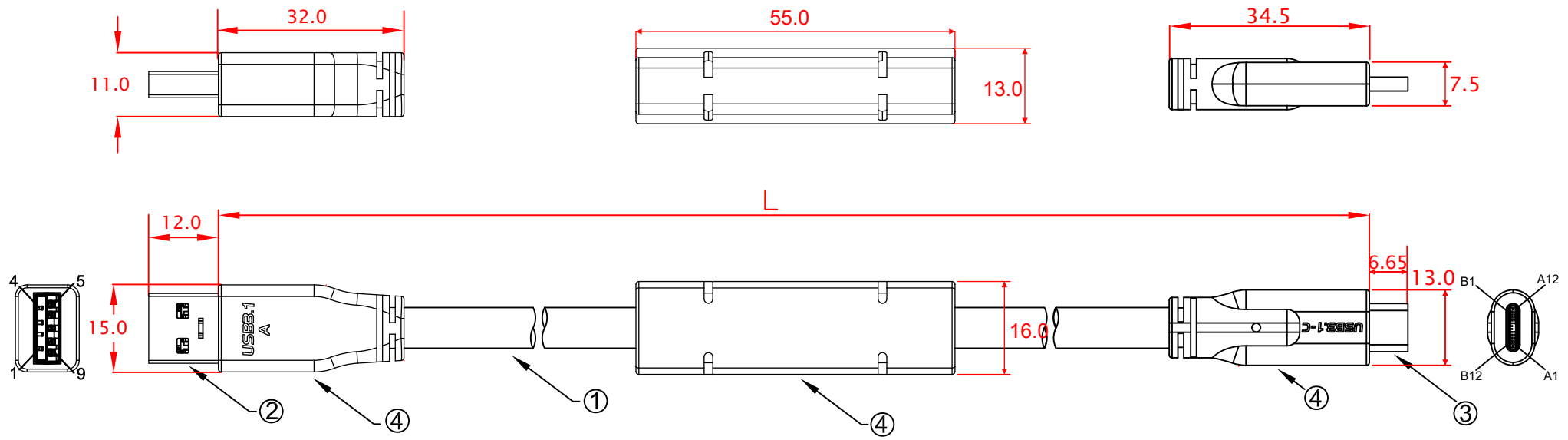
L:  
 CBL-HFD3igC-4m 4000mm±30mm  
 CBL-HFD3igC-5m 5000mm±30mm  
 CBL-HFD3igC-6m 6000mm±30mm

No	MATERIALS LIST:
1.	CABLE:UL20236 (2x(2x28AWG)+2x(2x28AWG)C) OD:7.0mm PUR JACKET COLOR:RED LILAC
2.	CONNECTOR:USB 3.0 A/M, 9P, BLUE INSULATOR SOLDER TYPE, NICKEL PLATED SHELL
3.	CONNECTOR:USB 3.1 TYPE-C, MALE, NICKEL PLATED SHELL
4.	ABS ASSEMBLY HOUSING, BLACK COLOR
5.	

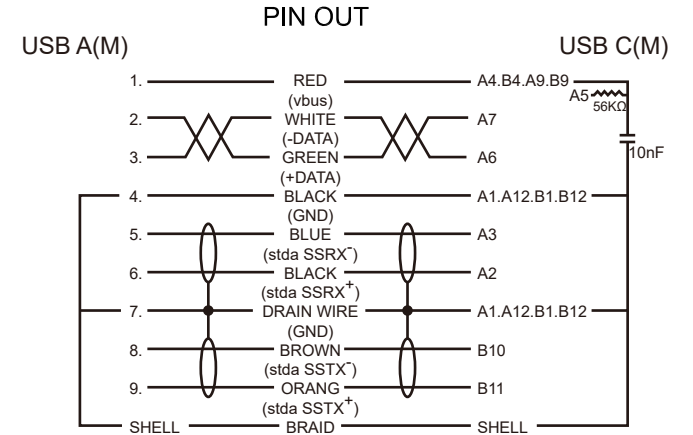
PIN OUT



Jargy part no.	Client part no.	Approved	SCALE	UNIT
CBL-HFD3igC-xm				mm
Drawing Name		Drawn	Date	REV.
USB 3.1 GEN 1 A to C Cable M/M				1.0

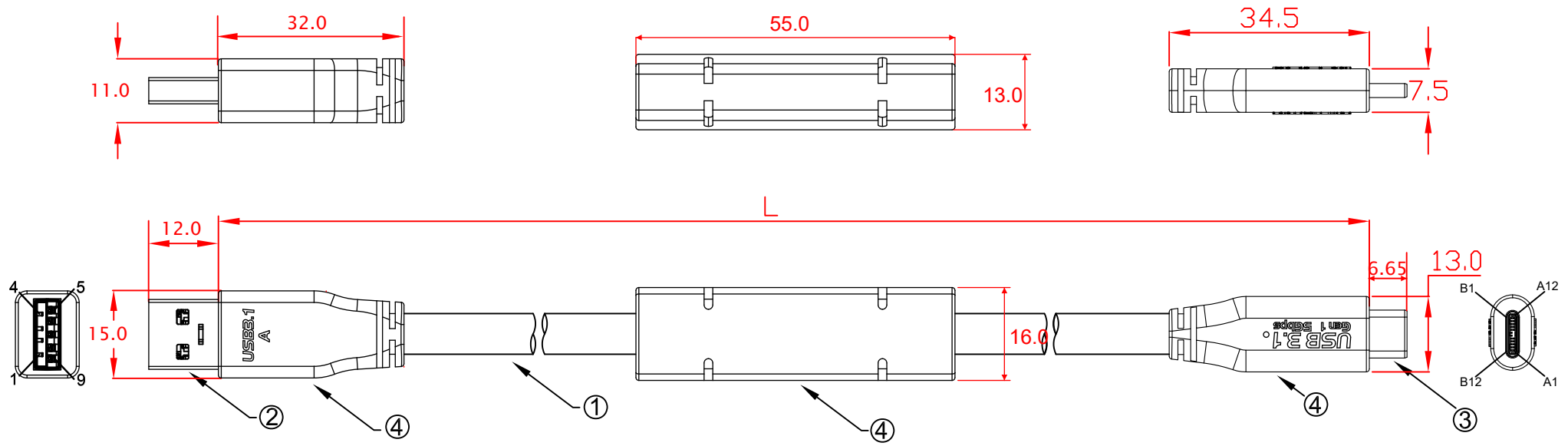


L:  
 CBL-HFD3igCN-4m 4000mm±30mm  
 CBL-HFD3igCN-5m 5000mm±30mm  
 CBL-HFD3igCN-6m 6000mm±30mm



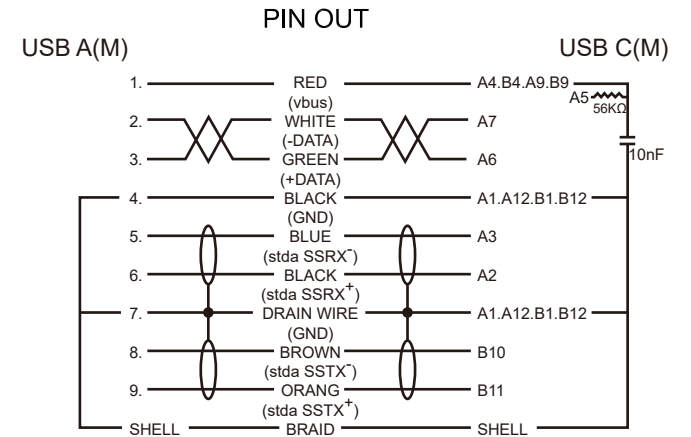
No	MATERIALS LIST:
1.	CABLE:UL20236 (2x(2x28AWG)+2x(2x28AWG)C) OD:7.0mm PUR JACKET COLOR:RED LILAC
2.	CONNECTOR:USB 3.0 A/M, 9P, BLUE INSULATOR SOLDER TYPE, NICKEL PLATED SHELL
3.	CONNECTOR:USB 3.1 TYPE-C, MALE, NICKEL PLATED SHELL
4.	PVC MOLDED HOUSING, BLACK COLOR
5.	

Jargy part no.	Client part no.	Approved	SCALE	UNIT
CBL-HFD3igCN-xm				mm
Drawing Name		Drawn	Date	REV.
USB 3.1 GEN 1 A to C Cable M/M				1.0

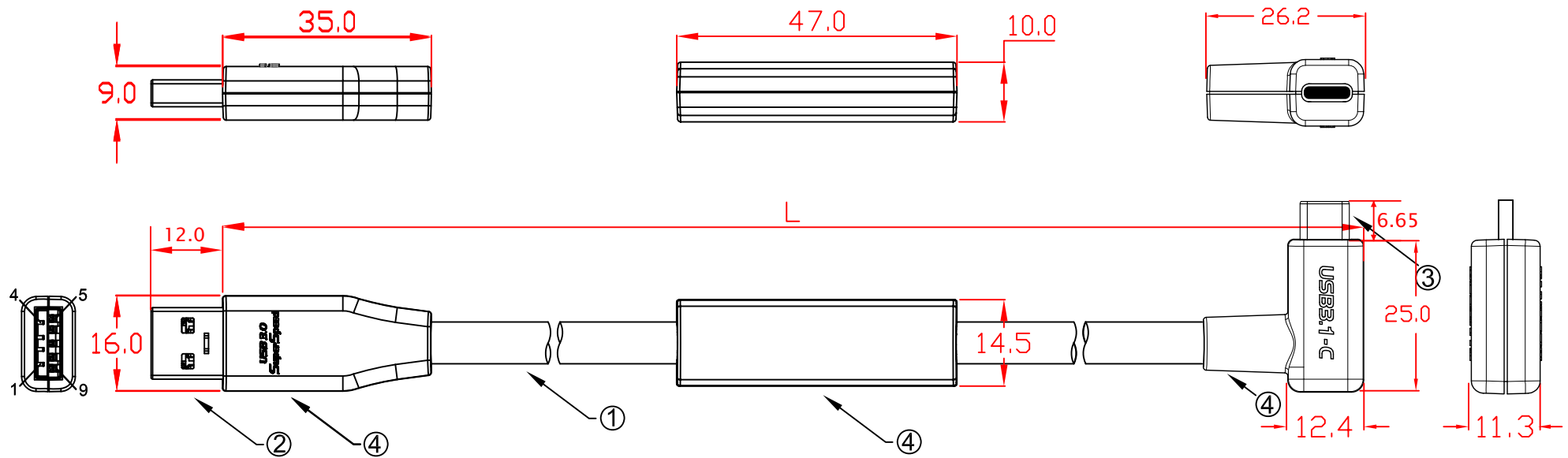


L:  
 CBL-HFD3igC-4m 4000mm±30mm  
 CBL-HFD3igC-5m 5000mm±30mm  
 CBL-HFD3igC-6m 6000mm±30mm

No	MATERIALS LIST:
1.	CABLE:UL20236 (2x(2x28AWG)+2x(2x28AWG)C) OD:7.0mm PUR JACKET COLOR:RED LILAC
2.	CONNECTOR:USB 3.0 A/M, 9P, BLUE INSULATOR SOLDER TYPE, NICKEL PLATED SHELL
3.	CONNECTOR:USB 3.1 TYPE-C, MALE, NICKEL PLATED SHELL
4.	PVC MOLDED HOUSING, BLACK COLOR
5.	

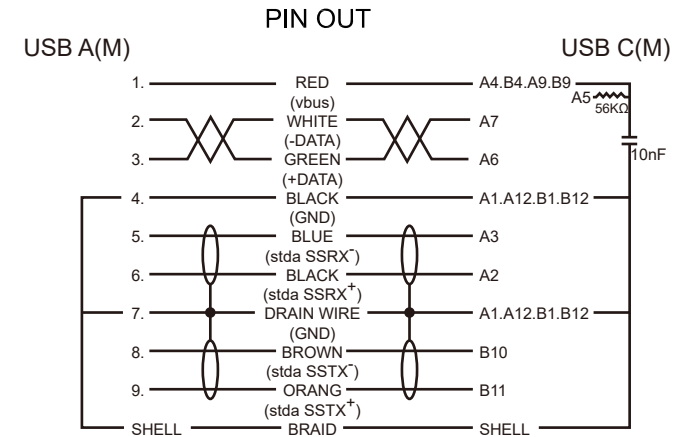


Jargy part no.	Client part no.	Approved	SCALE	UNIT
CBL-HFD3igC-xm				mm
Drawing Name		Drawn	Date	REV.
USB 3.1 GEN 1 A to C Cable M/M				1.0

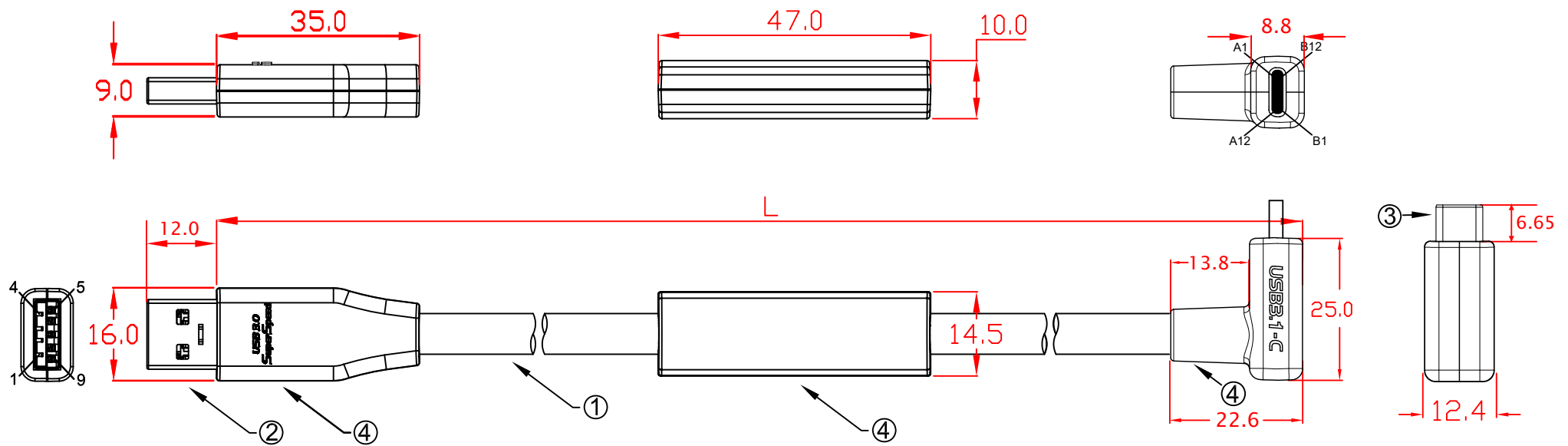


L:  
 CBL-HFD3igC-4mLRA 4000mm±30mm  
 CBL-HFD3igC-5mLRA 5000mm±30mm  
 CBL-HFD3igC-6mLRA 6000mm±30mm

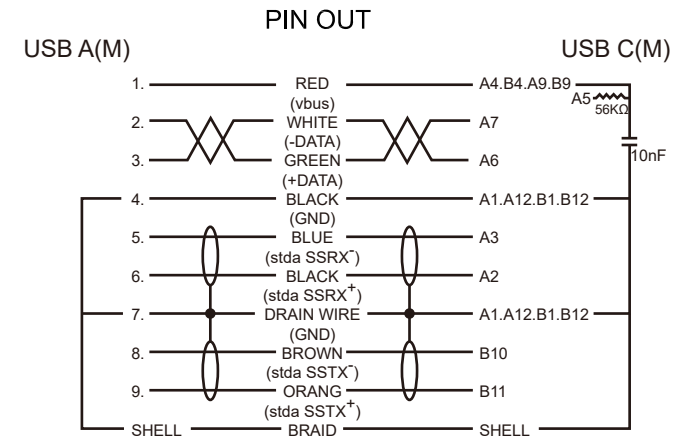
No	MATERIALS LIST:
1.	CABLE:UL20236 (2x(2x28AWG)+2x(2x28AWG)C) OD:7.0mm PUR JACKET COLOR:RED LILAC
2.	CONNECTOR:USB 3.0 A/M, 9P, BLUE INSULATOR SOLDER TYPE, NICKEL PLATED SHELL
3.	CONNECTOR:USB 3.1 TYPE-C, MALE, NICKEL PLATED SHELL
4.	ABS ASSEMBLY HOUSING, BLACK COLOR
5.	



Jargy part no.	Client part no.	Approved	SCALE	UNIT
CBL-HFD3igC-xlLRA				mm
Drawing Name		Drawn	Date	REV.
USB 3.1 GEN 1 A to C Cable M/M				1.0

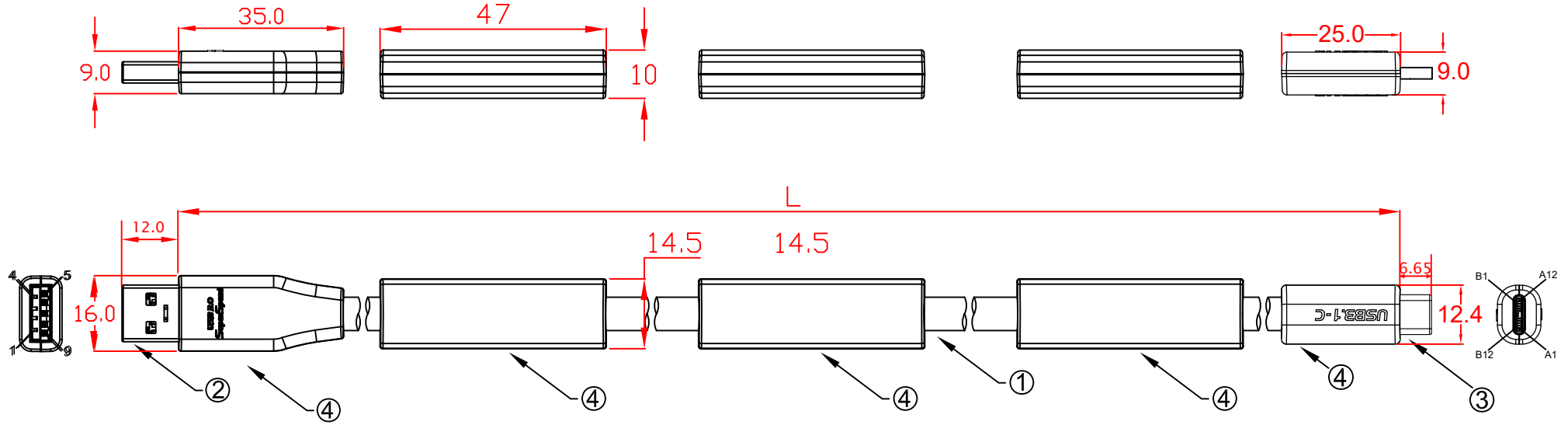


L:  
 CBL-HFD3igC-4mUDA 4000mm±30mm  
 CBL-HFD3igC-5mUDA 5000mm±30mm  
 CBL-HFD3igC-6mUDA 6000mm±30mm



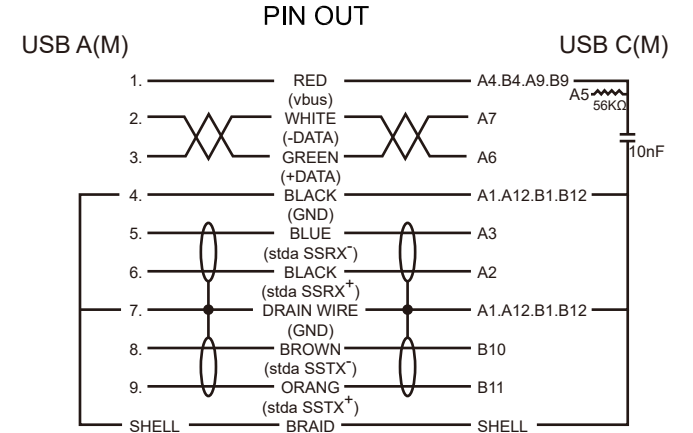
No	MATERIALS LIST:
1.	CABLE:UL20236 (2x(2x28AWG)+2x(2x28AWG)C) OD:7.0mm PUR JACKET COLOR:RED LILAC
2.	CONNECTOR:USB 3.0 A/M, 9P, BLUE INSULATOR SOLDER TYPE, NICKEL PLATED SHELL
3.	CONNECTOR:USB 3.1 TYPE-C, MALE, NICKEL PLATED SHELL
4.	ABS ASSEMBLY HOUSING, BLACK COLOR
5.	

Jargy part no.	Client part no.	Approved	SCALE	UNIT
CBL-HFD3igC-xmUDA				mm
Drawing Name		Drawn	Date	REV.
USB 3.1 GEN 1 A to C Cable M/M				1.0

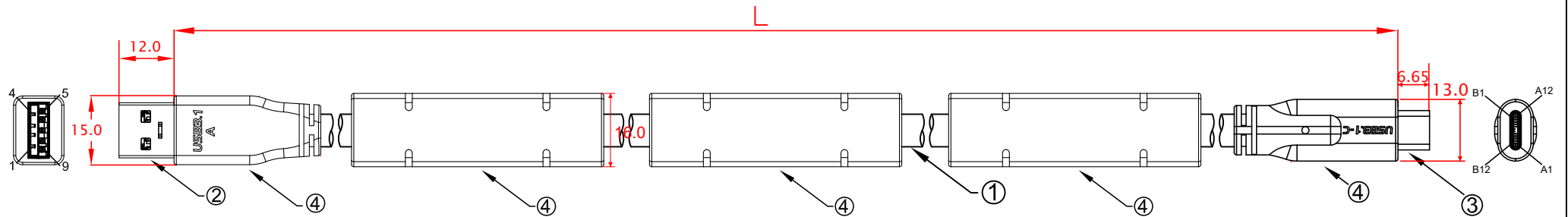
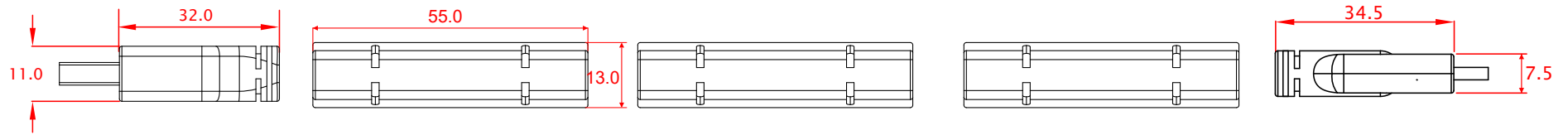


L:  
 CBL-HFD3igC-7m 7000mm±50mm  
 CBL-HFD3igC-8m 8000mm±50mm  
 CBL-HFD3igC-9m 9000mm±50mm

No	MATERIALS LIST:
1.	CABLE:UL20236 (2x(2x28AWG)+2x(2x28AWG)C) OD:7.0mm PUR JACKET COLOR:RED LILAC
2.	CONNECTOR:USB 3.0 A/M, 9P, BLUE INSULATOR SOLDER TYPE, NICKEL PLATED SHELL
3.	CONNECTOR:USB 3.1 TYPE-C, MALE, NICKEL PLATED SHELL
4.	ABS ASSEMBLY HOUSING, BLACK COLOR
5.	



Jargy part no.	Client part no.	Approved	SCALE	UNIT
CBL-HFD3igC-xm				mm
Drawing Name		Drawn	Date	REV.
USB 3.1 GEN 1 A to C Cable M/M				1.0



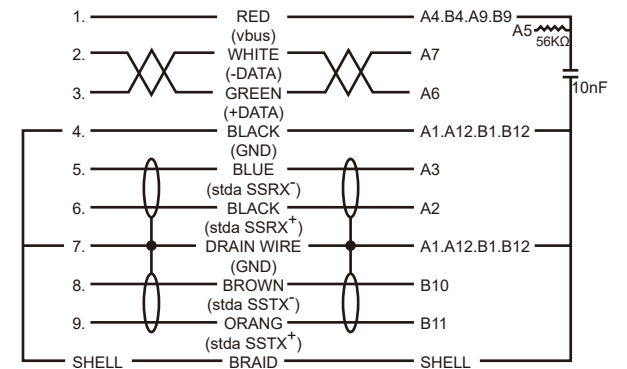
L:  
 CBL-HFD3igCN-7m 7000mm±50mm  
 CBL-HFD3igCN-8m 8000mm±50mm  
 CBL-HFD3igCN-9m 9000mm±50mm

No	MATERIALS LIST:
1.	CABLE:UL20236 (2x(2x28AWG)+2x(2x28AWG)C) OD:7.0mm PUR JACKET COLOR:RED LILAC
2.	CONNECTOR:USB 3.0 A/M, 9P, BLUE INSULATOR SOLDER TYPE, NICKEL PLATED SHELL
3.	CONNECTOR:USB 3.1 TYPE-C, MALE, NICKEL PLATED SHELL
4.	PVC MOLDED HOUSING, BLACK COLOR
5.	

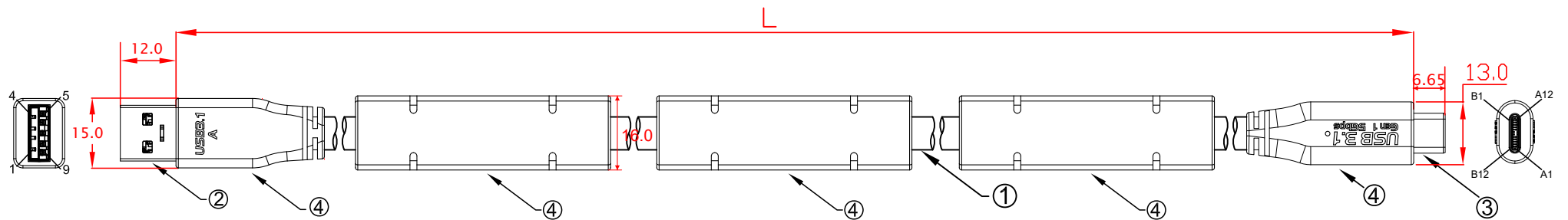
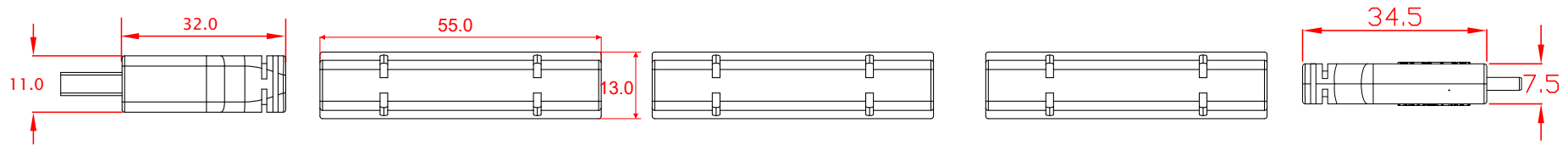
PIN OUT

USB A(M)

USB C(M)



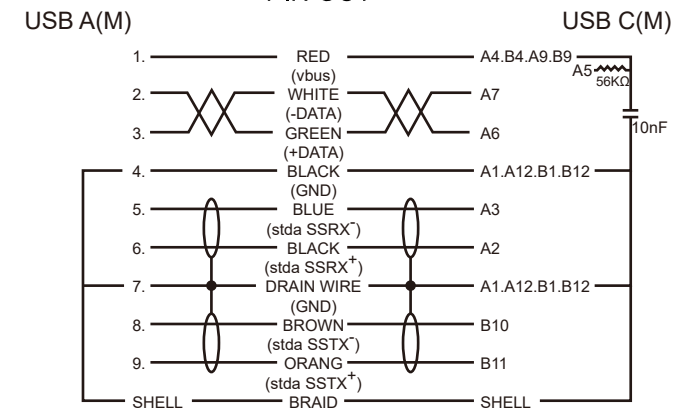
Jargy part no.	Client part no.	Approved	SCALE	UNIT
CBL-HFD3igCN-xm				mm
Drawing Name		Drawn	Date	REV.
USB 3.1 GEN 1 A to C Cable M/M				1.0



L:  
 CBL-HFD3igC-7m 7000mm±50mm  
 CBL-HFD3igC-8m 8000mm±50mm  
 CBL-HFD3igC-9m 9000mm±50mm

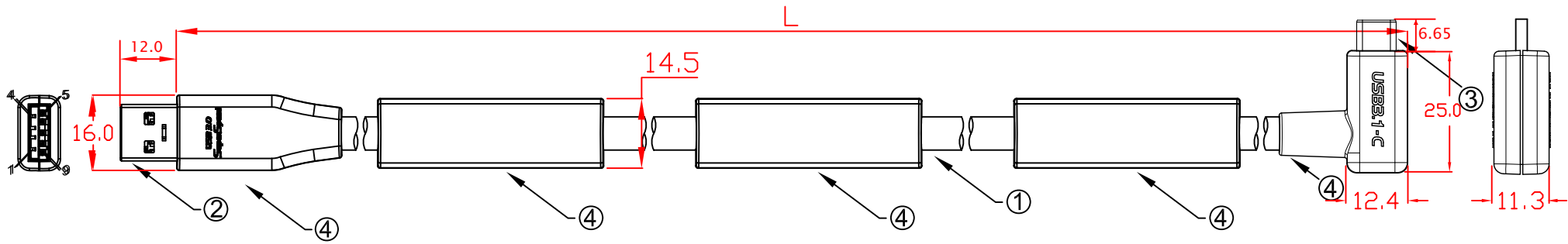
No	MATERIALS LIST:
1.	CABLE:UL20236 (2x(2x28AWG)+2x(2x28AWG)C) OD:7.0mm PUR JACKET COLOR:RED LILAC
2.	CONNECTOR:USB 3.0 A/M, 9P, BLUE INSULATOR SOLDER TYPE, NICKEL PLATED SHELL
3.	CONNECTOR:USB 3.1 TYPE-C, MALE, NICKEL PLATED SHELL
4.	PVC MOLDED HOUSING, BLACK COLOR
5.	

PIN OUT



Jargy part no.	Client part no.	Approved	SCALE	UNIT
CBL-HFD3igC-xm				mm
Drawing Name		Drawn	Date	REV.
USB 3.1 GEN 1 A to C Cable M/M				1.0

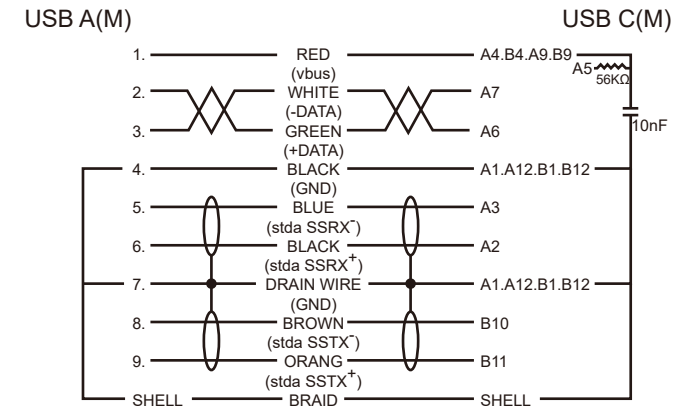




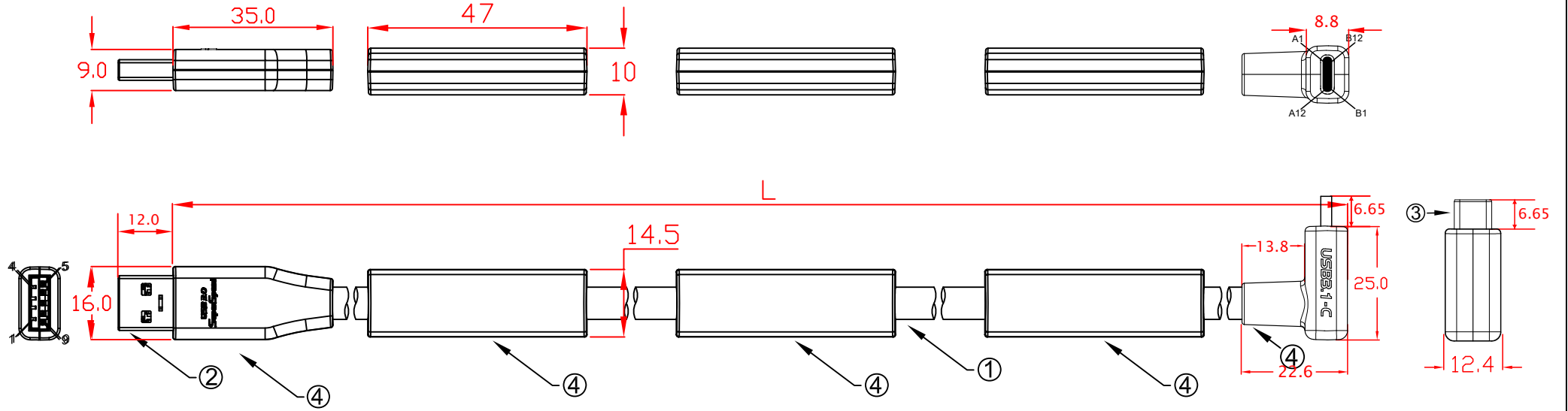
L:  
 CBL-HFD3igC-7mLRA 7000mm±50mm  
 CBL-HFD3igC-8mLRA 8000mm±50mm  
 CBL-HFD3igC-9mLRA 9000mm±50mm

No	MATERIALS LIST:
1.	CABLE:UL20236 (2x(2x28AWG)+2x(2x28AWG)C) OD:7.0mm PUR JACKET COLOR:RED LILAC
2.	CONNECTOR:USB 3.0 A/M, 9P, BLUE INSULATOR SOLDER TYPE, NICKEL PLATED SHELL
3.	CONNECTOR:USB 3.1 TYPE-C, MALE, NICKEL PLATED SHELL
4.	ABS ASSEMBLY HOUSING, BLACK COLOR
5.	

PIN OUT

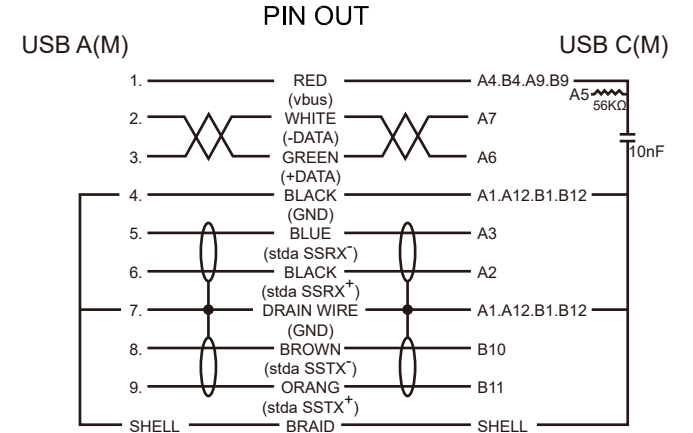


Jargy part no.	Client part no.	Approved	SCALE	UNIT
CBL-HFD3igC-xmLRA				mm
Drawing Name		Drawn	Date	REV.
USB 3.1 GEN 1 A to C Cable M/M				1.0

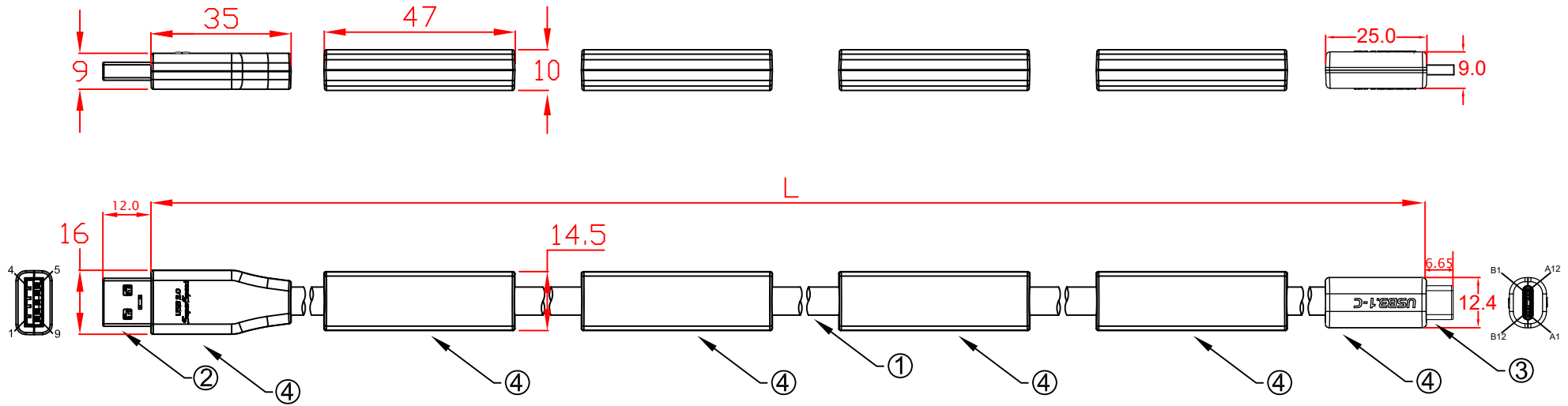


L:  
 CBL-HFD3igC-7mUDA 7000mm±50mm  
 CBL-HFD3igC-8mUDA 8000mm±50mm  
 CBL-HFD3igC-9mUDA 9000mm±50mm

No	MATERIALS LIST:
1.	CABLE:UL20236 (2x(2x28AWG)+2x(2x28AWG)C) OD:7.0mm PUR JACKET COLOR:RED LILAC
2.	CONNECTOR:USB 3.0 A/M, 9P, BLUE INSULATOR SOLDER TYPE, NICKEL PLATED SHELL
3.	CONNECTOR:USB 3.1 TYPE-C, MALE, NICKEL PLATED SHELL
4.	ABS ASSEMBLY HOUSING, BLACK COLOR
5.	

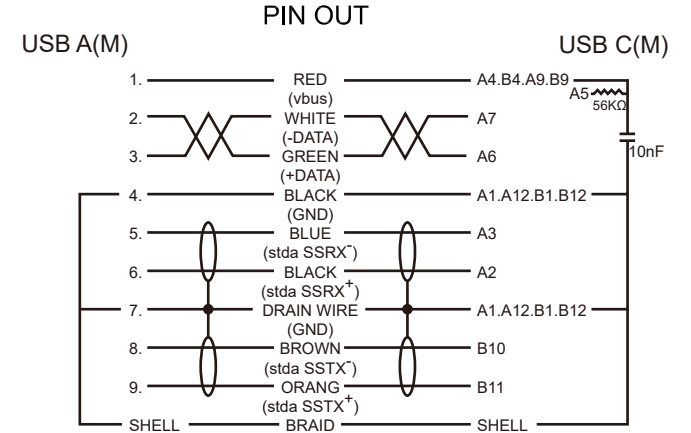


Jargy part no.	Client part no.	Approved	SCALE	UNIT
CBL-HFD3igC-xmUDA				mm
Drawing Name		Drawn	Date	REV.
USB 3.1 GEN 1 A to C Cable M/M				1.0

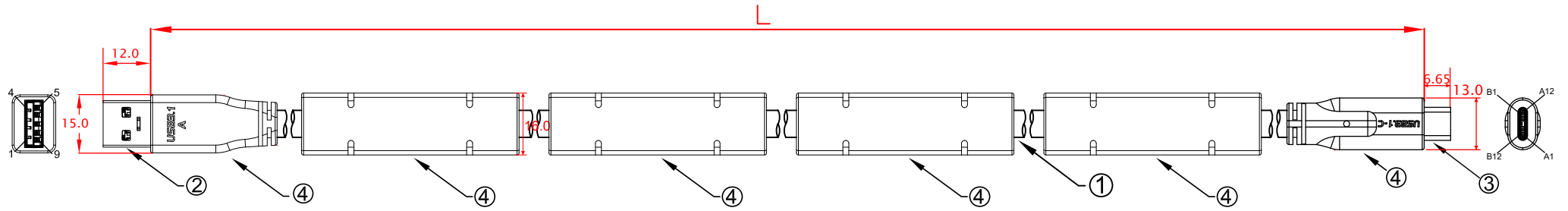
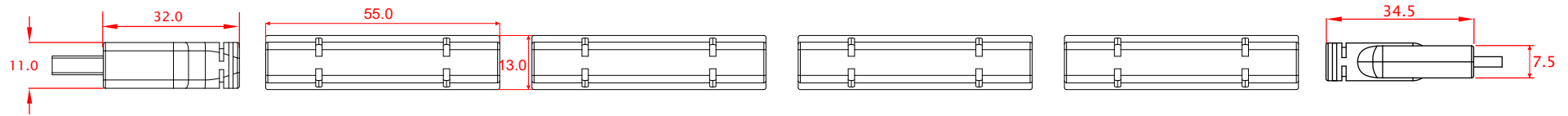


L:  
 CBL-HFD3igC-10m 10000mm±50mm  
 CBL-HFD3igC-11m 11000mm±50mm  
 CBL-HFD3igC-12m 12000mm±50mm

No	MATERIALS LIST:
1.	CABLE:UL20236 (2x(2x28AWG)+2x(2x28AWG)C) OD:7.0mm PUR JACKET COLOR:RED LILAC
2.	CONNECTOR:USB 3.0 A/M, 9P, BLUE INSULATOR SOLDER TYPE, NICKEL PLATED SHELL
3.	CONNECTOR:USB 3.1 TYPE-C, MALE, NICKEL PLATED SHELL
4.	ABS ASSEMBLY HOUSING, BLACK COLOR

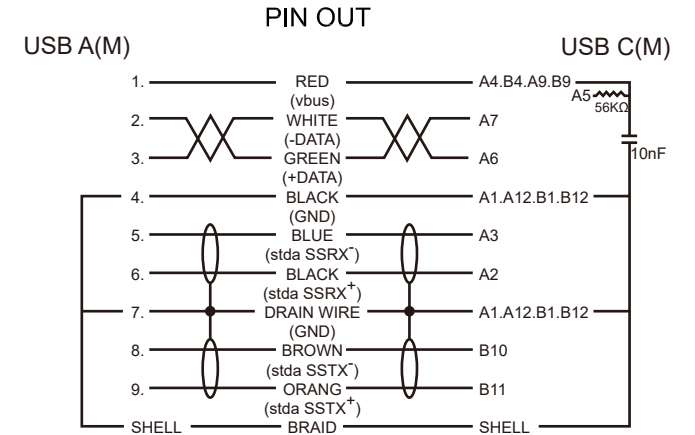


Jargy part no.	Client part no.	Approved	SCALE	UNIT
CBL-HFD3igC-xm				mm
Drawing Name		Drawn	Date	REV.
USB 3.1 GEN 1 A to C Cable M/M				1.0

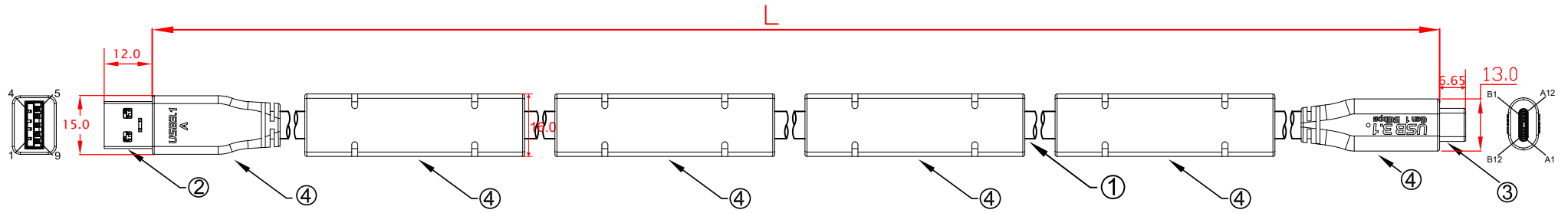
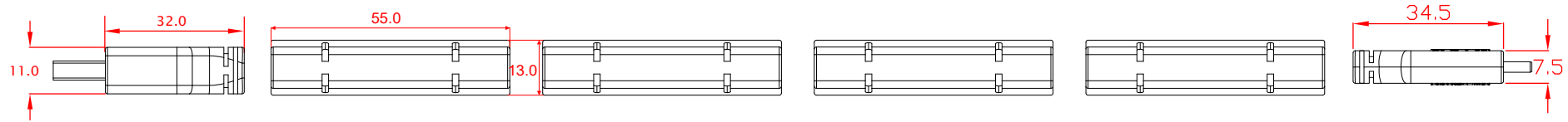


L:  
 CBL-HFD3igCN-10m 10000mm±50mm  
 CBL-HFD3igCN-11m 11000mm±50mm  
 CBL-HFD3igCN-12m 12000mm±50mm

No	MATERIALS LIST:
1.	CABLE:UL20236 (2x(2x28AWG)+2x(2x28AWG)C) OD:7.0mm PUR JACKET COLOR:RED LILAC
2.	CONNECTOR:USB 3.0 A/M, 9P, BLUE INSULATOR SOLDER TYPE, NICKEL PLATED SHELL
3.	CONNECTOR:USB 3.1 TYPE-C, MALE, NICKEL PLATED SHELL
4.	PVC MOLDED HOUSING, BLACK COLOR

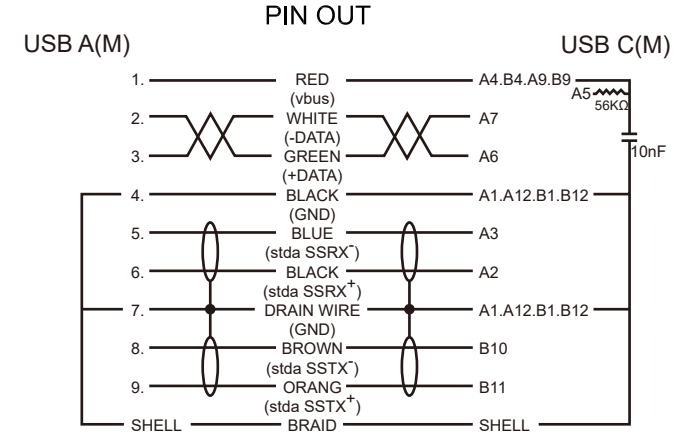


Jargy part no.	Client part no.	Approved	SCALE	UNIT
CBL-HFD3igCN-xm				mm
Drawing Name		Drawn	Date	REV.
USB 3.1 GEN 1 A to C Cable M/M				1.0



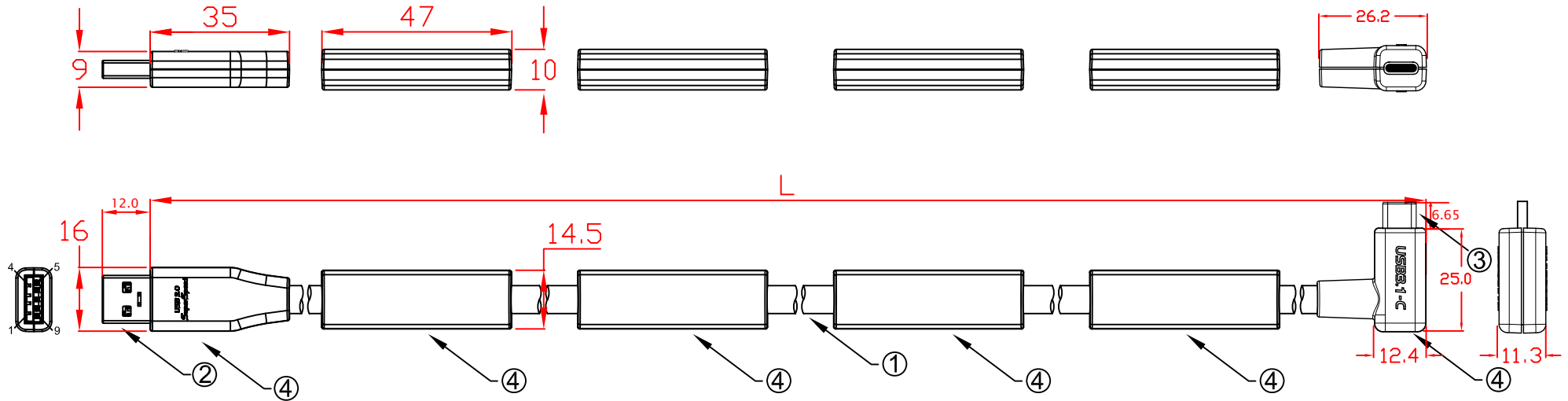
L:  
 CBL-HFD3igC-10m 10000mm±50mm  
 CBL-HFD3igC-11m 11000mm±50mm  
 CBL-HFD3igC-12m 12000mm±50mm

No	MATERIALS LIST:
1.	CABLE:UL20236 (2x(2x28AWG)+2x(2x28AWG)C) OD:7.0mm PUR JACKET COLOR:RED LILAC
2.	CONNECTOR:USB 3.0 A/M, 9P, BLUE INSULATOR SOLDER TYPE, NICKEL PLATED SHELL
3.	CONNECTOR:USB 3.1 TYPE-C, MALE, NICKEL PLATED SHELL
4.	PVC MOLDED HOUSING, BLACK COLOR



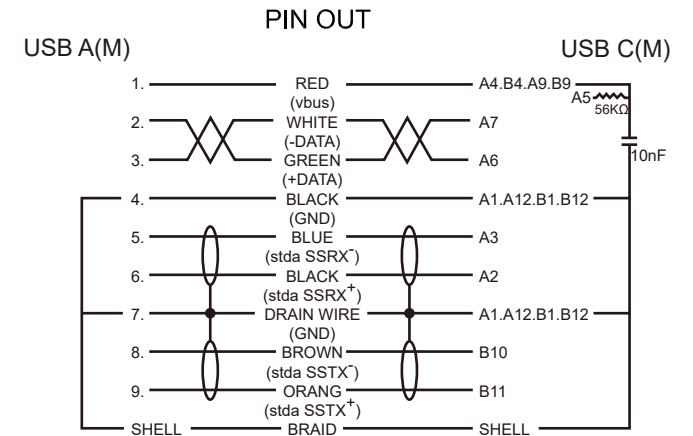
Jargy part no.	Client part no.	Approved	SCALE	UNIT
CBL-HFD3igC-xm				mm
Drawing Name		Drawn	Date	REV.
USB 3.1 GEN 1 A to C Cable M/M				1.0

**Mobile Computing** **JARGY**

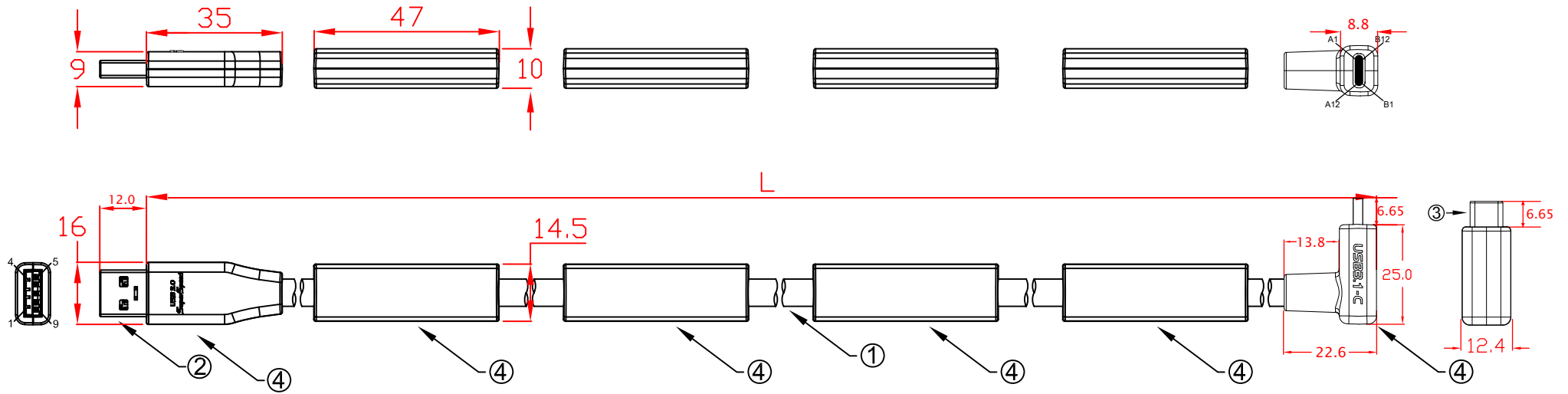


L:  
 CBL-HFD3igC-10mLRA 10000mm±50mm  
 CBL-HFD3igC-11mLRA 11000mm±50mm  
 CBL-HFD3igC-12mLRA 12000mm±50mm

No	MATERIALS LIST:
1.	CABLE:UL20236 (2x(2x28AWG)+2x(2x28AWG)C) OD:7.0mm PUR JACKET COLOR:RED LILAC
2.	CONNECTOR:USB 3.0 A/M, 9P, BLUE INSULATOR SOLDER TYPE, NICKEL PLATED SHELL
3.	CONNECTOR:USB 3.1 TYPE-C, MALE, NICKEL PLATED SHELL
4.	ABS ASSEMBLY HOUSING, BLACK COLOR

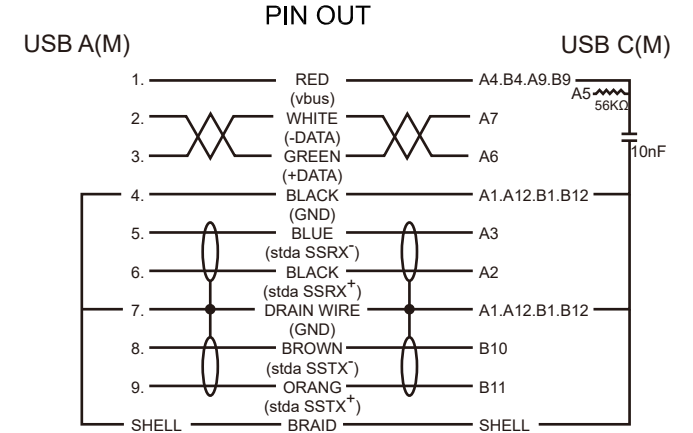


Jargy part no.	Client part no.	Approved	SCALE	UNIT
CBL-HFD3igC-xmLRA				mm
Drawing Name		Drawn	Date	REV.
USB 3.1 GEN 1 A to C Cable M/M				1.0

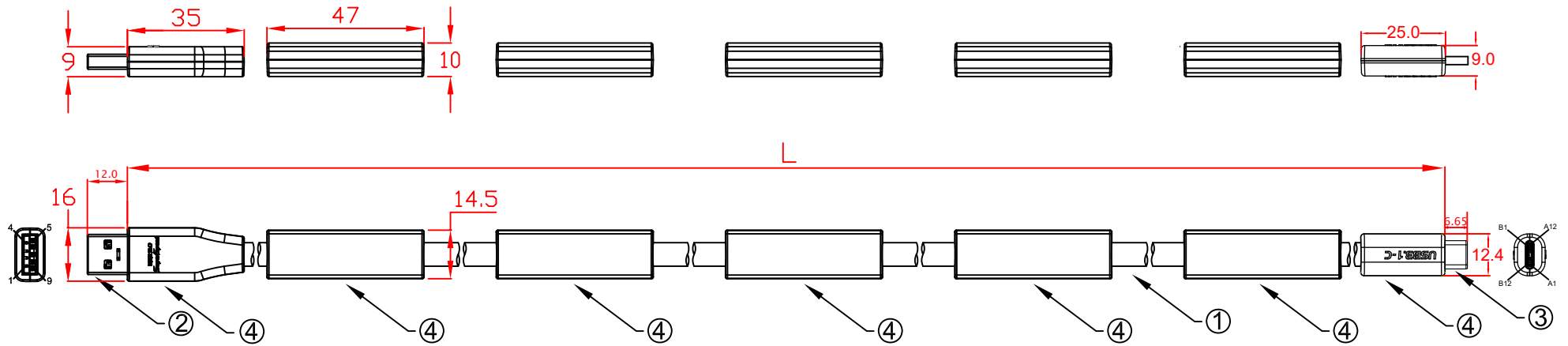


L:  
 CBL-HFD3igC-10mUDA 10000mm±50mm  
 CBL-HFD3igC-11mUDA 11000mm±50mm  
 CBL-HFD3igC-12mUDA 12000mm±50mm

No	MATERIALS LIST:
1.	CABLE:UL20236 (2x(2x28AWG)+2x(2x28AWG)C) OD:7.0mm PUR JACKET COLOR:RED LILAC
2.	CONNECTOR:USB 3.0 A/M, 9P, BLUE INSULATOR SOLDER TYPE, NICKEL PLATED SHELL
3.	CONNECTOR:USB 3.1 TYPE-C, MALE, NICKEL PLATED SHELL
4.	ABS ASSEMBLY HOUSING, BLACK COLOR

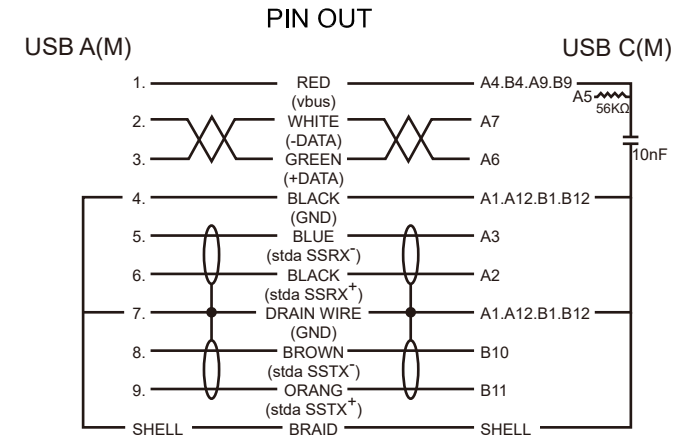


Jargy part no.	Client part no.	Approved	SCALE	UNIT
CBL-HFD3igC-xmUDA				mm
Drawing Name		Drawn	Date	REV.
USB 3.1 GEN 1 A to C Cable M/M				1.0



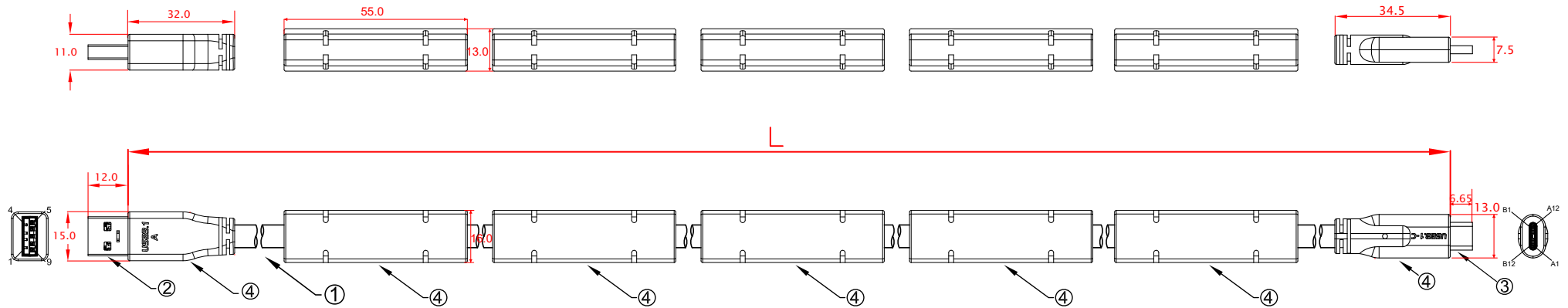
L:  
 CBL-HFD3igC-13m 13000mm±50mm  
 CBL-HFD3igC-14m 14000mm±50mm  
 CBL-HFD3igC-15m 15000mm±50mm

No	MATERIALS LIST:
1.	CABLE:UL20236 (2x(2x28AWG)+2x(2x28AWG)C) OD:7.0mm PUR JACKET COLOR:RED LILAC
2.	CONNECTOR:USB 3.0 A/M, 9P, BLUE INSULATOR SOLDER TYPE, NICKEL PLATED SHELL
3.	CONNECTOR:USB 3.1 TYPE-C, MALE, NICKEL PLATED SHELL
4.	ABS ASSEMBLY HOUSING, BLACK COLOR
5.	



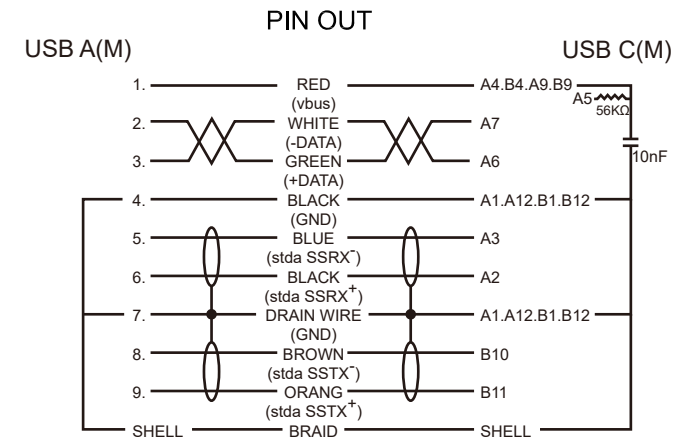
Jargy part no.	Client part no.	Approved	SCALE	UNIT
CBL-HFD3igC-xm				mm
Drawing Name		Drawn	Date	REV.
USB 3.1 GEN 1 A to C Cable M/M				1.0



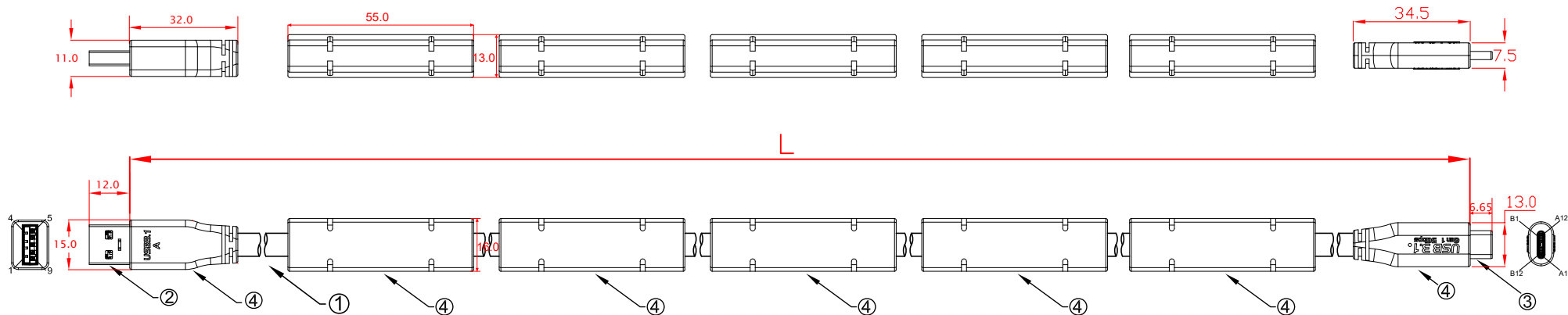


**L:**  
 CBL-HFD3igCN-13m 13000mm±50mm  
 CBL-HFD3igCN-14m 14000mm±50mm  
 CBL-HFD3igCN-15m 15000mm±50mm

No	MATERIALS LIST:
1.	CABLE:UL20236 (2x(2x28AWG)+2x(2x28AWG)C) OD:7.0mm PUR JACKET COLOR:RED LILAC
2.	CONNECTOR:USB 3.0 A/M, 9P, BLUE INSULATOR SOLDER TYPE, NICKEL PLATED SHELL
3.	CONNECTOR:USB 3.1 TYPE-C, MALE, NICKEL PLATED SHELL
4.	PVC MOLDED HOUSING, BLACK COLOR
5.	



Jargy part no.	Client part no.	Approved	SCALE	UNIT
CBL-HFD3igCN-xm				mm
Drawing Name		Drawn	Date	REV.
USB 3.1 GEN 1 A to C Cable M/M				1.0

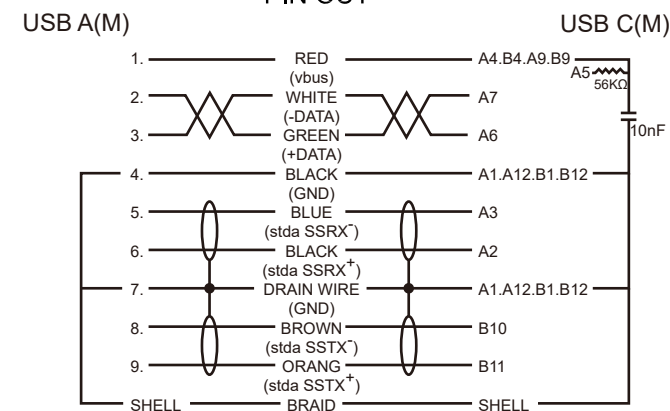


- L:**  
 CBL-HFD3igC-13m 13000mm±50mm  
 CBL-HFD3igC-14m 14000mm±50mm  
 CBL-HFD3igC-15m 15000mm±50mm

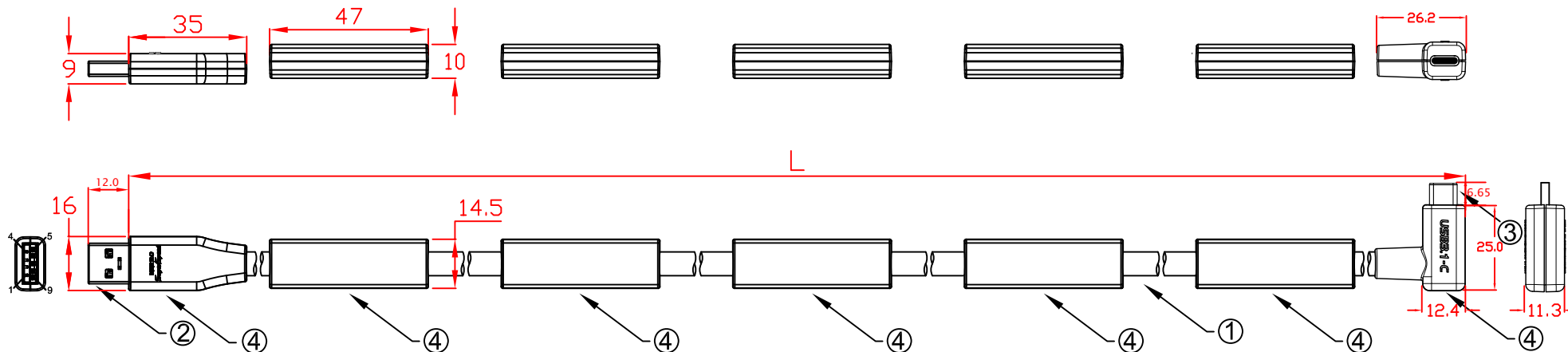
**No MATERIALS LIST:**

1.	CABLE:UL20236 (2x(2x28AWG)+2x(2x28AWG)C) OD:7.0mm PUR JACKET COLOR:RED LILAC
2.	CONNECTOR:USB 3.0 A/M, 9P, BLUE INSULATOR SOLDER TYPE, NICKEL PLATED SHELL
3.	CONNECTOR:USB 3.1 TYPE-C, MALE, NICKEL PLATED SHELL
4.	PVC MOLDED HOUSING, BLACK COLOR
5.	

**PIN OUT**

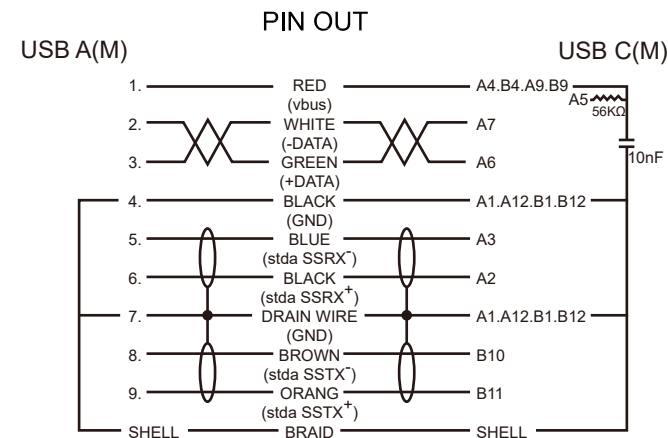


Jargy part no.	Client part no.	Approved	SCALE	UNIT
CBL-HFD3igC-xm				mm
Drawing Name		Drawn	Date	REV.
USB 3.1 GEN 1 A to C Cable M/M				1.0

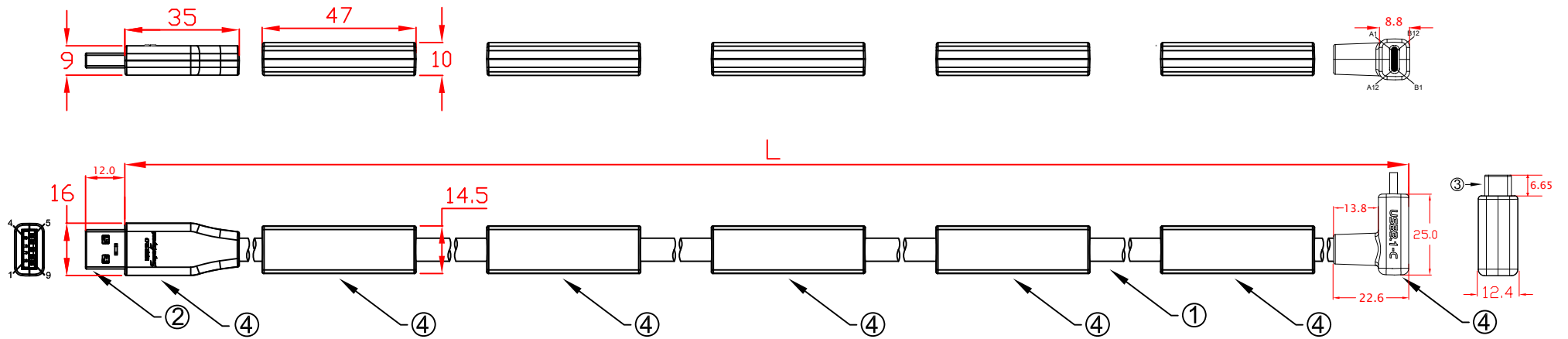


- L:**  
 CBL-HFD3igC-13mLRA 13000mm±50mm  
 CBL-HFD3igC-14mLRA 14000mm±50mm  
 CBL-HFD3igC-15mLRA 15000mm±50mm

No	MATERIALS LIST:
1.	CABLE:UL20236 (2x(2x28AWG)+2x(2x28AWG)C) OD:7.0mm PUR JACKET COLOR:RED LILAC
2.	CONNECTOR:USB 3.0 A/M, 9P, BLUE INSULATOR SOLDER TYPE, NICKEL PLATED SHELL
3.	CONNECTOR:USB 3.1 TYPE-C, MALE, NICKEL PLATED SHELL
4.	ABS ASSEMBLY HOUSING, BLACK COLOR
5.	

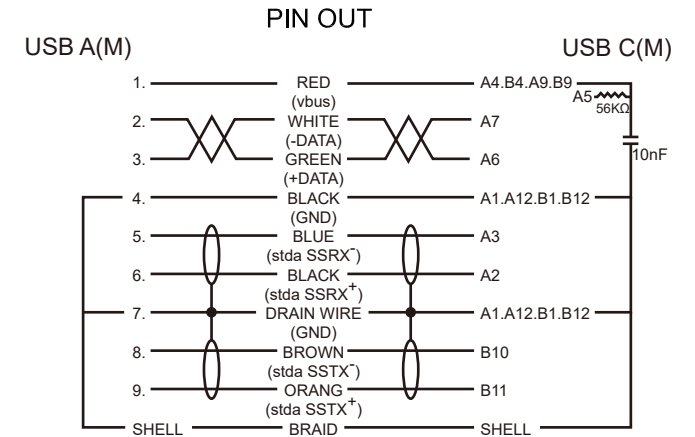


Jargy part no.	Client part no.	Approved	SCALE	UNIT
CBL-HFD3igC-xmLRA				mm
Drawing Name		Drawn	Date	REV.
USB 3.1 GEN 1 A to C Cable M/M				1.0

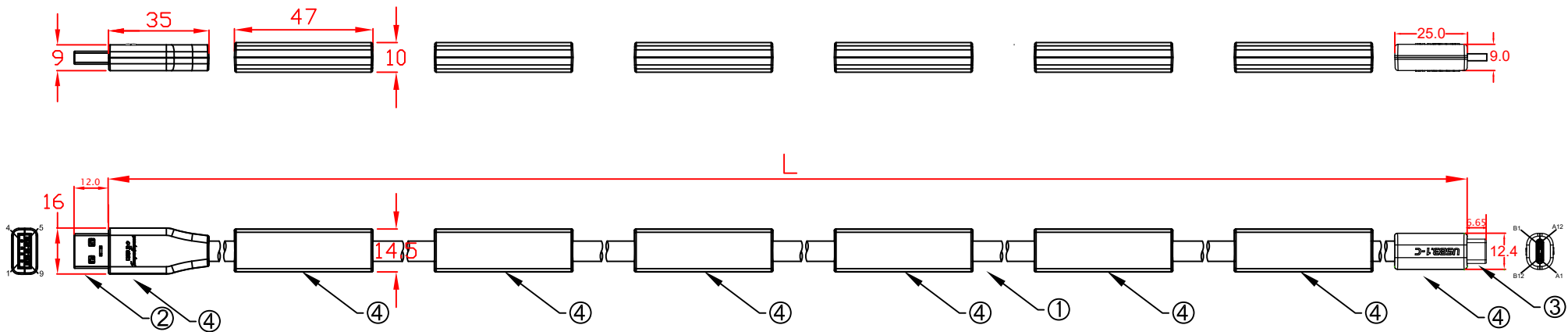


- L:**  
 CBL-HFD3igC-13mUDA 13000mm±50mm  
 CBL-HFD3igC-14mUDA 14000mm±50mm  
 CBL-HFD3igC-15mUDA 15000mm±50mm

No	MATERIALS LIST:
1.	CABLE:UL20236 (2x(2x28AWG)+2x(2x28AWG)C) OD:7.0mm PUR JACKET COLOR:RED LILAC
2.	CONNECTOR:USB 3.0 A/M, 9P, BLUE INSULATOR SOLDER TYPE, NICKEL PLATED SHELL
3.	CONNECTOR:USB 3.1 TYPE-C, MALE, NICKEL PLATED SHELL
4.	ABS ASSEMBLY HOUSING, BLACK COLOR
5.	

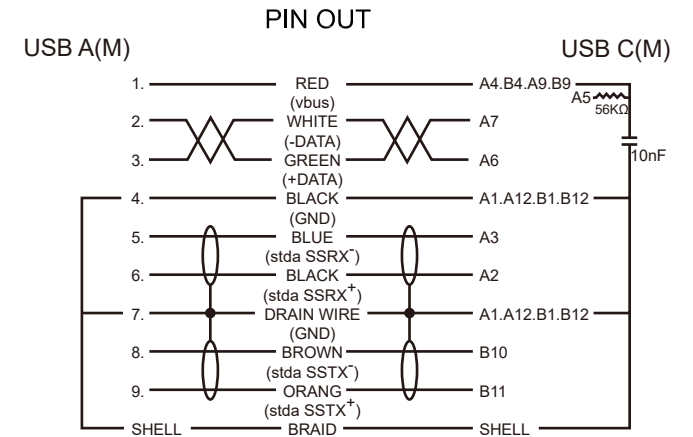


Jargy part no.	Client part no.	Approved	SCALE	UNIT
CBL-HFD3igC-xmUDA				mm
Drawing Name		Drawn	Date	REV.
USB 3.1 GEN 1 A to C Cable M/M				1.0

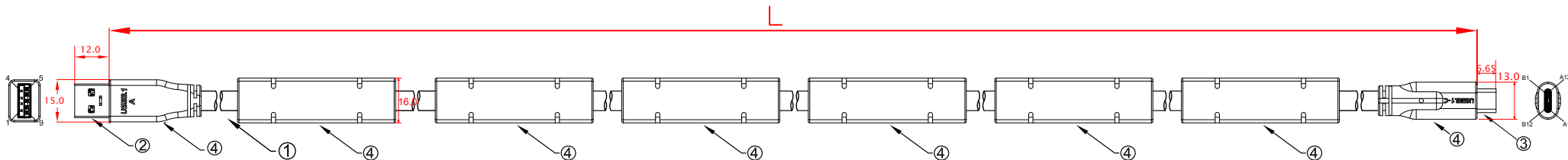
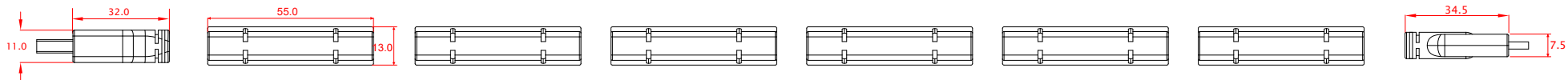


L:  
 CBL-HFD3igC-16m 16000mm±50mm  
 CBL-HFD3igC-17m 17000mm±50mm  
 CBL-HFD3igC-18m 18000mm±50mm  
 CBL-HFD3igC-19m 19000mm±50mm  
 CBL-HFD3igC-20m 20000mm±50mm

No	MATERIALS LIST:
1.	CABLE:UL20236 (2x(2x28AWG)+2x(2x28AWG)C) OD:7.0mm PUR JACKET COLOR:RED LILAC
2.	CONNECTOR:USB 3.0 A/M, 9P, BLUE INSULATOR SOLDER TYPE, NICKEL PLATED SHELL
3.	CONNECTOR:USB 3.1 TYPE-C, MALE, NICKEL PLATED SHELL
4.	ABS ASSEMBLY HOUSING, BLACK COLOR
5.	



Jargy part no.	Client part no.	Approved	SCALE	UNIT
CBL-HFD3igC-xm				mm
Drawing Name		Drawn	Date	REV.
USB 3.1 GEN 1 A to C Cable M/M				1.0



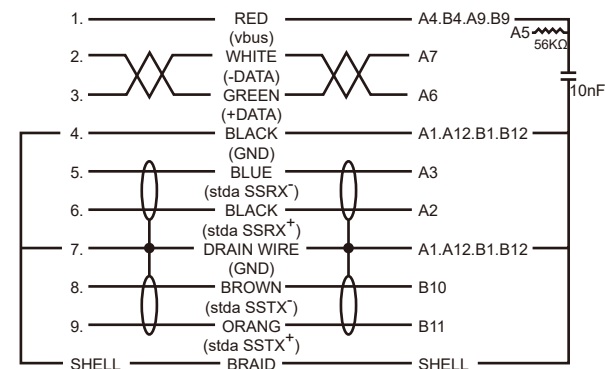
- L:
- CBL-HFD3igCN-16m 16000mm±50mm
  - CBL-HFD3igCN-17m 17000mm±50mm
  - CBL-HFD3igCN-18m 18000mm±50mm
  - CBL-HFD3igCN-19m 19000mm±50mm
  - CBL-HFD3igCN-20m 20000mm±50mm

No	MATERIALS LIST:
1.	CABLE:UL20236 (2x(2x28AWG)+2x(2x28AWG)C) OD:7.0mm PUR JACKET COLOR:RED LILAC
2.	CONNECTOR:USB 3.0 A/M, 9P, BLUE INSULATOR SOLDER TYPE, NICKEL PLATED SHELL
3.	CONNECTOR:USB 3.1 TYPE-C, MALE, NICKEL PLATED SHELL
4.	PVC MOLDED HOUSING, BLACK COLOR
5.	

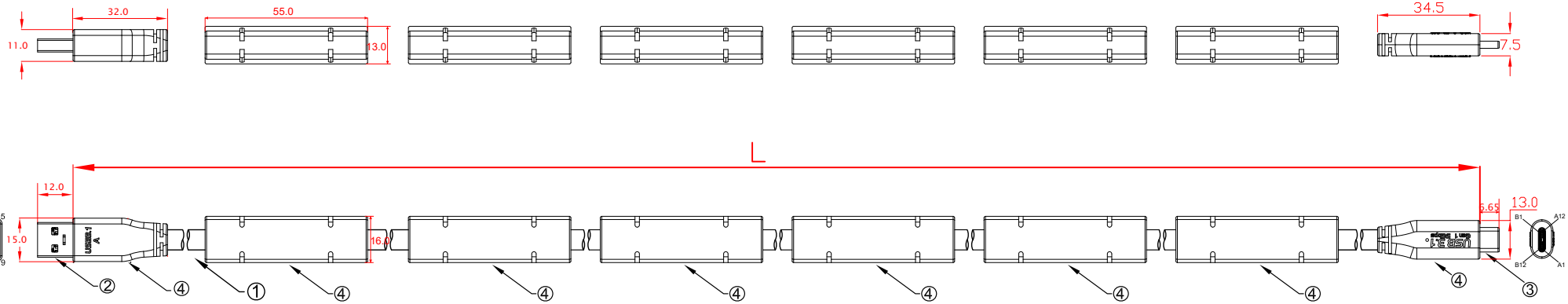
PIN OUT

USB A(M)

USB C(M)

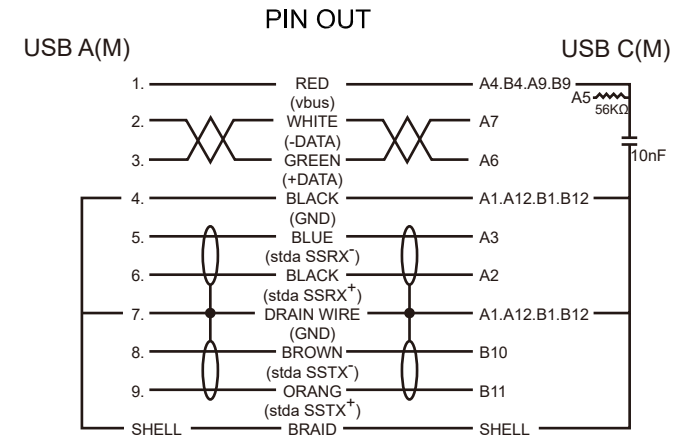


Jargy part no.	Client part no.	Approved	SCALE	UNIT
CBL-HFD3igCN-xm				mm
Drawing Name		Drawn	Date	REV.
USB 3.1 GEN 1 A to C Cable M/M				1.0

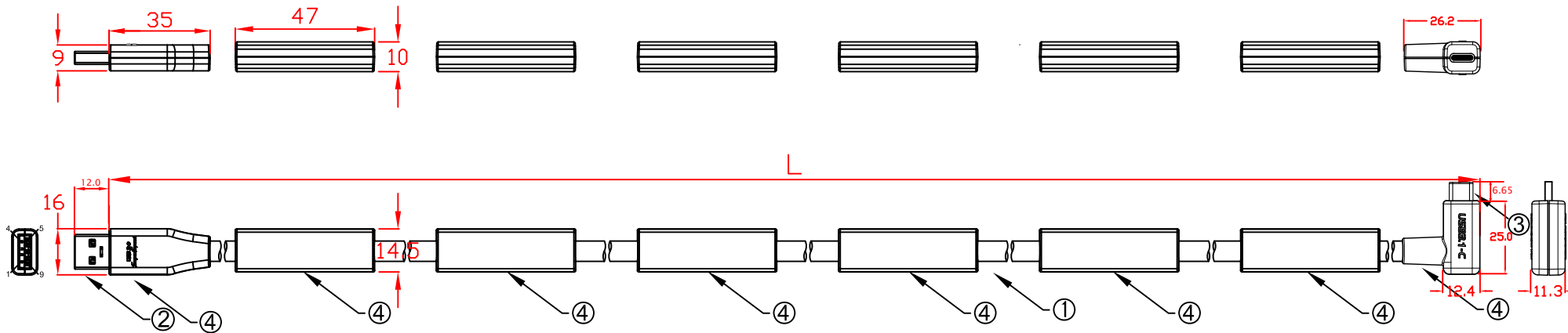


- L:
- CBL-HFD3igC-16m 16000mm±50mm
  - CBL-HFD3igC-17m 17000mm±50mm
  - CBL-HFD3igC-18m 18000mm±50mm
  - CBL-HFD3igC-19m 19000mm±50mm
  - CBL-HFD3igC-20m 20000mm±50mm

No	MATERIALS LIST:
1.	CABLE:UL20236 (2x(2x28AWG)+2x(2x28AWG)C) OD:7.0mm PUR JACKET COLOR:RED LILAC
2.	CONNECTOR:USB 3.0 A/M, 9P, BLUE INSULATOR SOLDER TYPE, NICKEL PLATED SHELL
3.	CONNECTOR:USB 3.1 TYPE-C, MALE, NICKEL PLATED SHELL
4.	PVC MOLDED HOUSING, BLACK COLOR
5.	

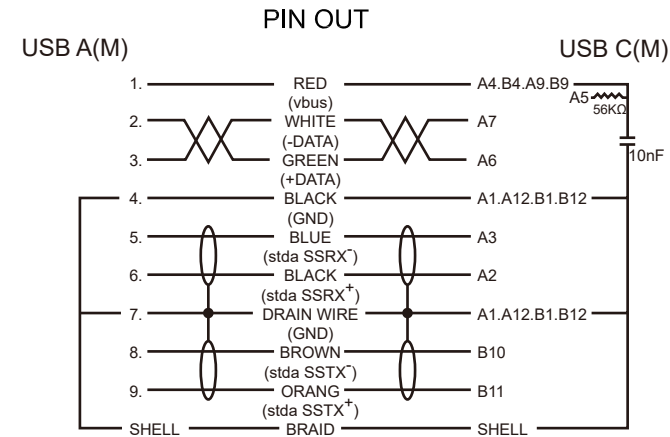


Jargy part no.	Client part no.	Approved	SCALE	UNIT
CBL-HFD3igC-xm				mm
Drawing Name		Drawn	Date	REV.
USB 3.1 GEN 1 A to C Cable M/M				1.0



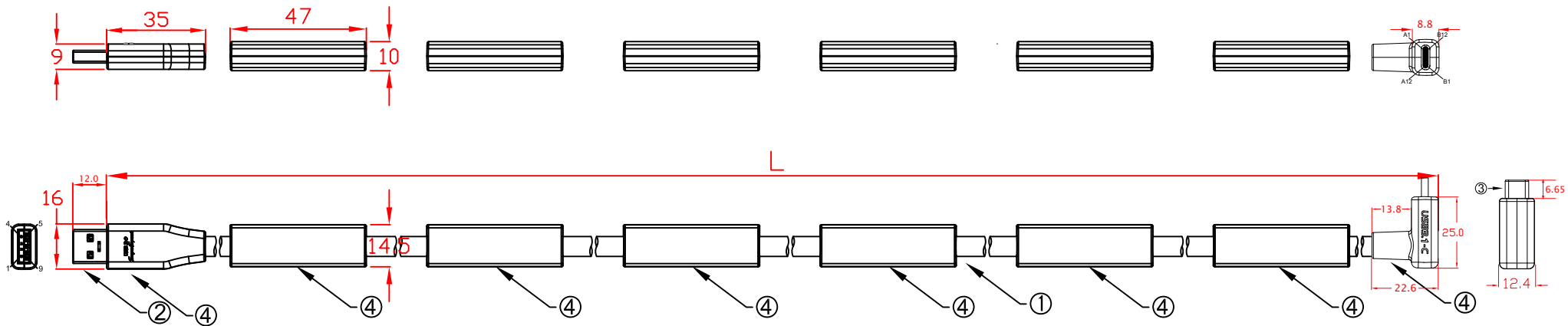
- L:
- CBL-HFD3igC-16mLRA 16000mm±50mm
  - CBL-HFD3igC-17mLRA 17000mm±50mm
  - CBL-HFD3igC-18mLRA 18000mm±50mm
  - CBL-HFD3igC-19mLRA 19000mm±50mm
  - CBL-HFD3igC-20mLRA 20000mm±50mm

No	MATERIALS LIST:
1.	CABLE:UL20236 (2x(2x28AWG)+2x(2x28AWG)C) OD:7.0mm PUR JACKET COLOR:RED LILAC
2.	CONNECTOR:USB 3.0 A/M, 9P, BLUE INSULATOR SOLDER TYPE, NICKEL PLATED SHELL
3.	CONNECTOR:USB 3.1 TYPE-C, MALE, NICKEL PLATED SHELL
4.	ABS ASSEMBLY HOUSING, BLACK COLOR
5.	



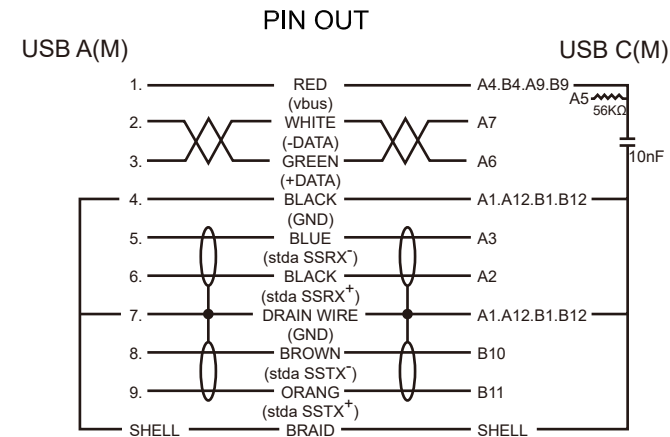
Jargy part no.	Client part no.	Approved	SCALE	UNIT
CBL-HFD3igC-xmLRA				mm
Drawing Name		Drawn	Date	REV.
USB 3.1 GEN 1 A to C Cable M/M				1.0





- L:
- CBL-HFD3igC-16mUDA 16000mm±50mm
  - CBL-HFD3igC-17mUDA 17000mm±50mm
  - CBL-HFD3igC-18mUDA 18000mm±50mm
  - CBL-HFD3igC-19mUDA 19000mm±50mm
  - CBL-HFD3igC-20mUDA 20000mm±50mm

No	MATERIALS LIST:
1.	CABLE:UL20236 (2x(2x28AWG)+2x(2x28AWG)C) OD:7.0mm PUR JACKET COLOR:RED LILAC
2.	CONNECTOR:USB 3.0 A/M, 9P, BLUE INSULATOR SOLDER TYPE, NICKEL PLATED SHELL
3.	CONNECTOR:USB 3.1 TYPE-C, MALE, NICKEL PLATED SHELL
4.	ABS ASSEMBLY HOUSING, BLACK COLOR
5.	



Jargy part no.	Client part no.	Approved	SCALE	UNIT
CBL-HFD3igC-xmUDA				mm
Drawing Name		Drawn	Date	REV.
USB 3.1 GEN 1 A to C Cable M/M				1.0